

APPROVED SHEET

CUSTOMER: _____

CUSTOMER P/N: _____

JWD P/N:

S12503BA

REV:

R0

DESCRIPTION:

10/100 BASE-TX

Meet AEC-Q200 Standard

BMS Application

IC Design References: TI606

CUSTOMER APPROVAL		COMPANY APPROVAL	
INSPECTED BY:		ISSUED BY:	Bob
CHECKED BY:		CHECKED BY:	Mingrui, Song
APPROVED BY:		APPROVED BY:	Focus, Wang
APPROVED DATE:		ISSUED DATE:	2021/2/2

Please Return One Copy to Us After Approved,TKS! (承认后请回寄一份,谢谢)

四川经纬达科技集团有限公司

Sichuan Jingweida Technology Group Co., Ltd

地址: 绵阳高新区防震减灾产业园

ADD: Protecting Against and Mitigating Earthquake Disasters Industrial Park,
High-tech Zone, Mianyang, Sichuan, CHINA.

TEL: +86-816-2561202 FAX: +86-816-2562518

E-MAIL: myjwd@myjwd.com

WEB: www.myjwd.com

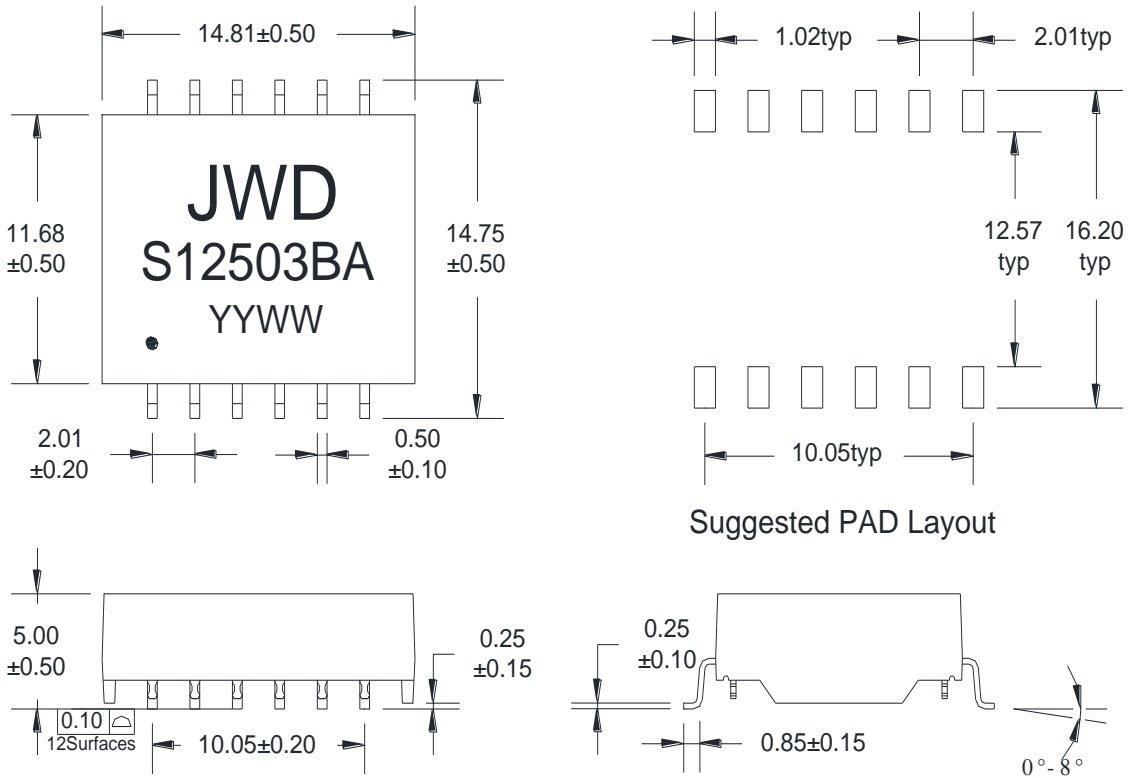




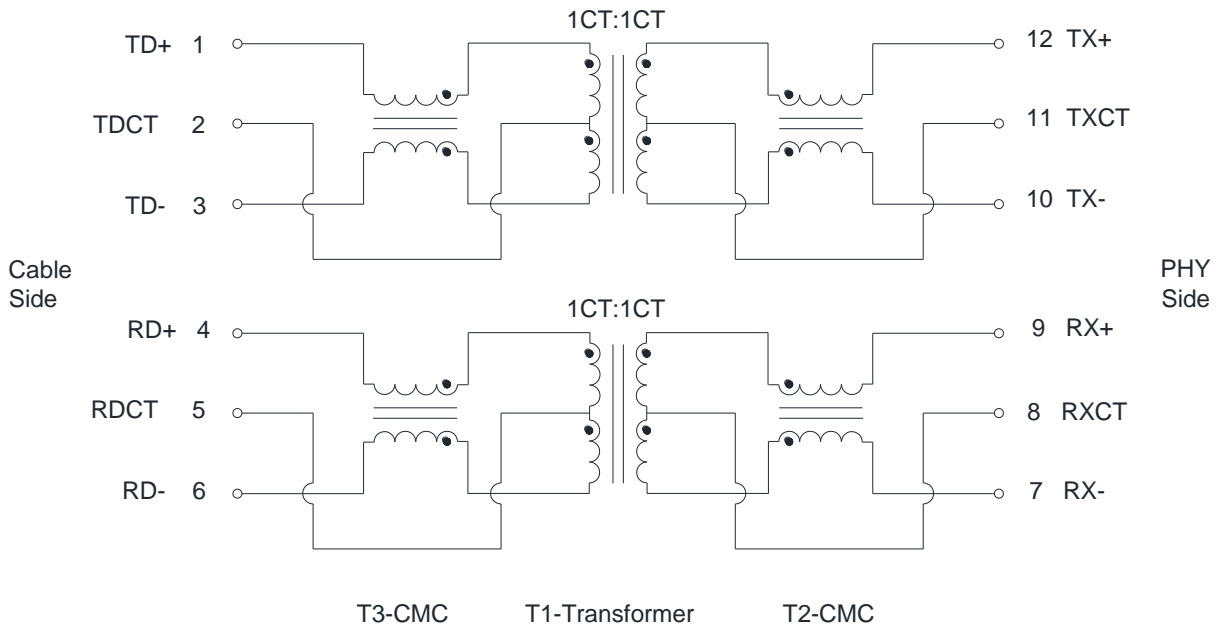
四川经纬达科技集团有限公司

Sichuan Jingweida Technology Group Co., Ltd

A. MECHANICAL(unit:mm)



B. SCHEMATICS



DESCRIPTION	JWD P/N	SPEC NO.	REV: R0
BMS Application	S12503BA		PAGE: 1/3



四川经纬达科技集团有限公司

Sichuan Jingweida Technology Group Co., Ltd

C. ELECTRICAL SPECIFICATIONS @25°C

- OCL(TD & RD): 600uH Min with 100 KHz, 0.1V @25°C
500uH Min with 100 KHz, 0.1V @-20~+85°C
- Common Mode Choke Inductance: @100KHz, 0.1V
T3-CMC Inductance: 10-40uH
T2-CMC Inductance: 5-35uH
- Leakage Inductance:@ 100KHz, 0.1V
Cable Side Leakage Inductance: 0.6uH Max
PHY Side Leakage Inductance: 0.6uH Max
- Leakage Inductance Balance (Center Tap Symmetry):
T3-CMC: 0.9uH Max
T2-CMC: 0.9uH Max
- DCR(Cable Side & PHY Side): 1400mΩ Max
- Turns Ratio(TD to TX, RD to RX): 1CT:1CT±5%
- Insertion Loss(TD to TX, RD to RX): -0.4 dB Max @ 4 MHz
- Return Loss(TD & RD, TX,RX with 100OHMS Load): -20 dB Min @ 4 MHz
- Cross Talk(Between Each Channel): -50 dB Min @ 4 MHz
- Common Mode Rejection(TD to TX,RD to RX): -35 dB Min @ 1-100 MHz
-20 dB Min @ 100-1000 MHz
- Differential to common rejection ratio(TD to TX,RD to RX): -35 dB Min @ 1-100MHz
-20 dB Min @ 100-1000MHz
- Isolation Hipot: 4300VDC 1mA 60S or 3700VAC 1mA 2S
- Qualification: AEC-Q200
- Operating temperature -40°C to +125°C
- Storage temperature -40°C to +125°C

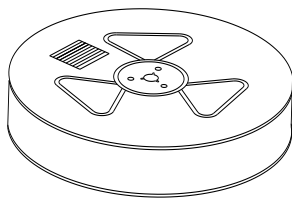
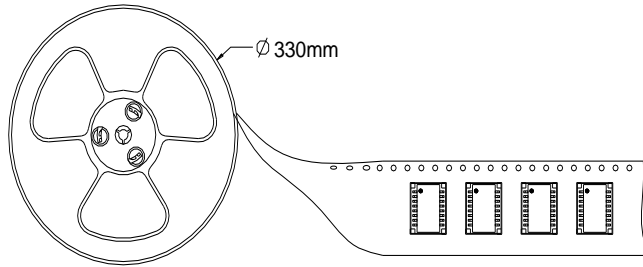
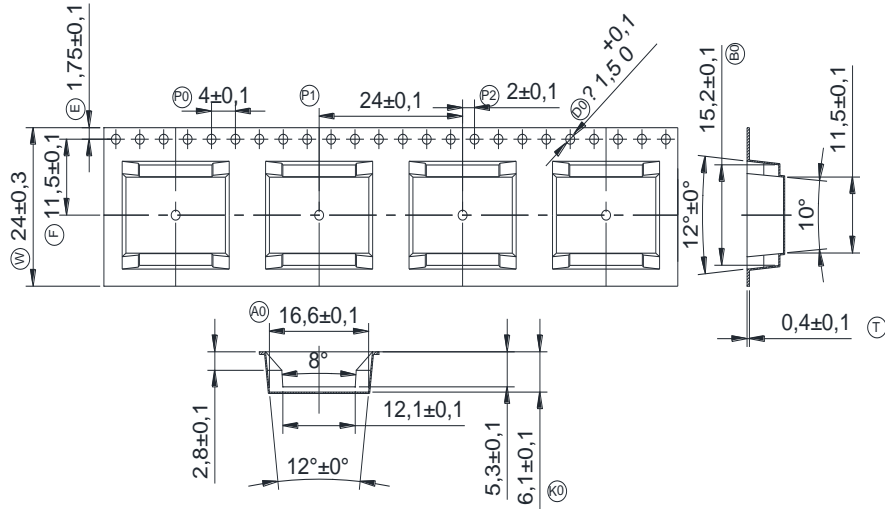
DESCRIPTION	JWD P/N	SPEC NO.	REV: R0
BMS Application	S12503BA		PAGE: 2/3



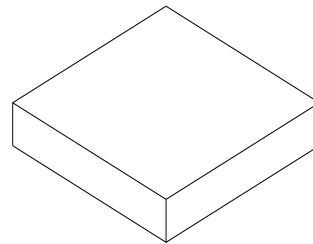
四川经纬达科技集团有限公司

Sichuan Jingweida Technology Group Co., Ltd

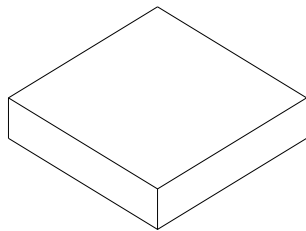
D. PACKAGE INFORMATION



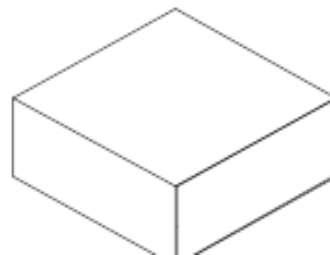
Three Reel



Inner Carton



Two Inner Carton



Export Carton

Package Quantity:

One Reel=300Pcs

One Inner Carton=300*3=900Pcs

One Export Carton=900*2=1800Pcs

DESCRIPTION	JWD P/N	SPEC NO	REV: R0
BMS Application	S12503BA		PAGE: 3/3