

APPROVED SHEET

CUSTOMER: _____
CUSTOMER P/N: _____
JWD P/N: SQ48002-1P G
REV: R1
DESCRIPTION: 2.5/5G BASE-T

CUSTOMER APPROVAL		COMPANY APPROVAL	
INSPECTED BY:		ISSUED BY:	Bob
CHECKED BY:		CHECKED BY:	
APPROVED BY:		APPROVED BY:	
APPROVED DATE:		ISSUED DATE:	2022/7/1

Please Return One Copy to Us After Approved,TKS! (承认后请回寄一份,谢谢)



四川经纬达科技集团有限公司

Sichuan Jingweida Technology Group Co., Ltd

地址: 四川省绵阳市高新区永兴镇永兴工业园

ADD: YongXing Industrial of High-tech Zone In Mianyang City, Sichuan
Province

TEL: +86-816-2561202 FAX: +86-816-2562518

E-MAIL: myjwd@myjwd.com

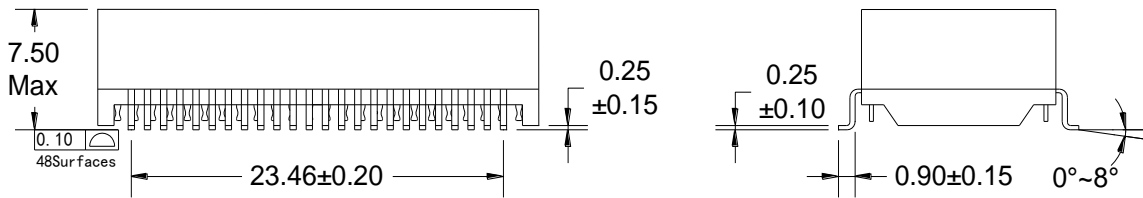
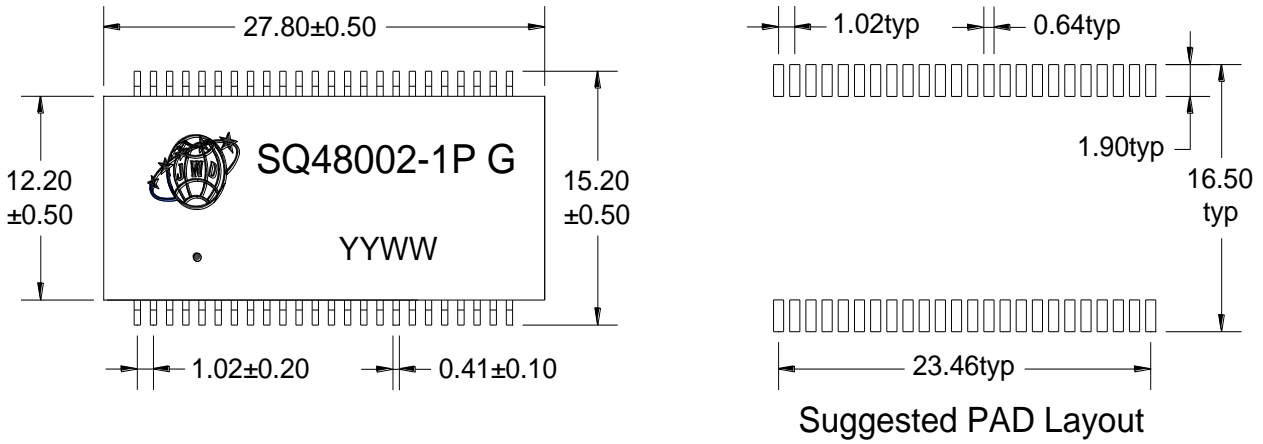
WEB: www.myjwd.com



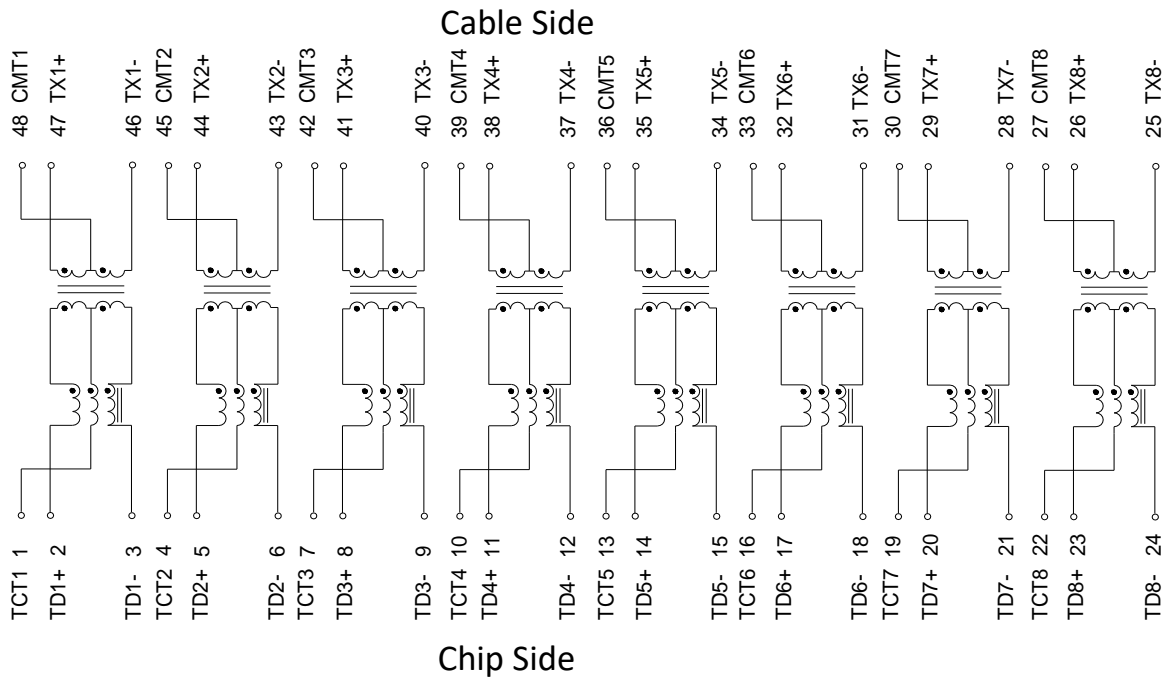
四川经纬达科技集团有限公司

Mianyang Highly-Tech Jingweida Scientific Co., Ltd

A. MECHANICAL(unit:mm)



B. SCHEMATICS



DESCRIPTION	JWD P/N	SPEC NO.	REV: R1
2.5/5G BASE-T	SQ48002-1P G		PAGE: 1/3



四川经纬达科技集团有限公司

Mianyang Highly-Tech Jingweida Scientific Co., Ltd

C. ELECTRICAL SPECIFICATIONS @25°C

1. OCL: 200uH Min @ 100KHz 0.1V with 14mA DC BIAS
2. Leakage Inductance: 0.5uH Max @ 100KHz, 0.1V
3. DCR: 1000mΩ Max
4. Turns Ratio: 1CT:1CT±5%
5. Insertion Loss: -1.0 dB Max @ 1-100 MHz
-2.0 dB Max @ 100-250 MHz
6. Return Loss: -16 dB Min @ $1 \leq f \leq 40$ MHz
-16+10log(f/40) dB Min @ $40 < f \leq 250$ MHz, where f is in MHz
7. Cross Talk: -30 dB Typ @ 1-250 MHz
8. Common Mode Rejection Ratio: -30 dB Typ @ 1-250 MHz
9. Isolation Hipot: 1500VAC 1mA 60S
10. Operating temperature 0°C to +70°C
11. Storage temperature -40°C to +85°C
12. PoE Support 50W: Each channel support 1000mA DC balance current

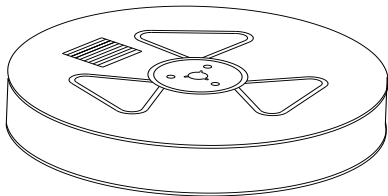
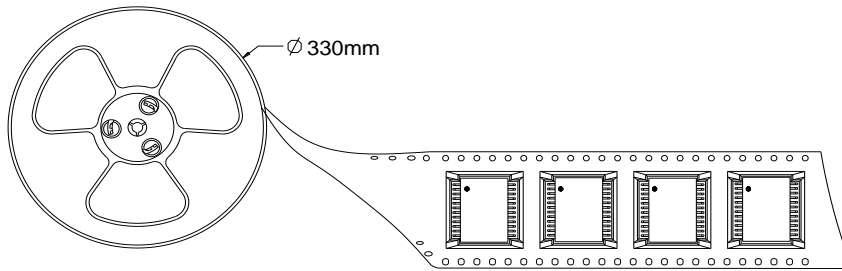
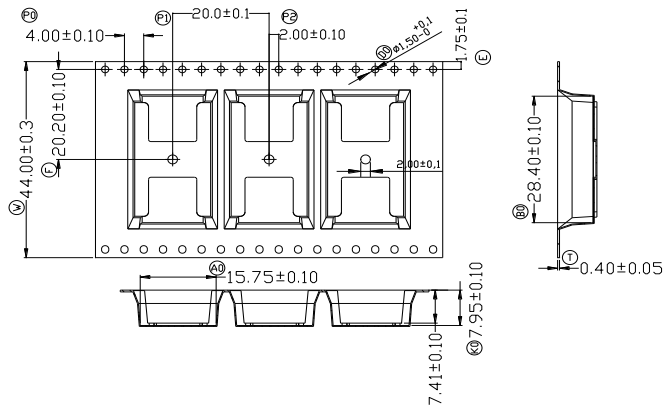
DESCRIPTION	JWD P/N	SPEC NO.	REV: R1
2.5/5G BASE-T	SQ48002-1P G		PAGE: 2/3



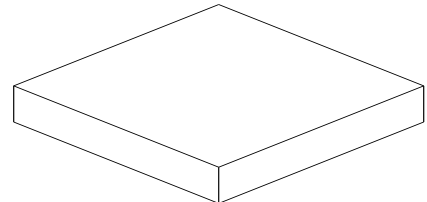
四川经纬达科技集团有限公司

Mianyang Highly-Tech Jingweida Scientific Co., Ltd

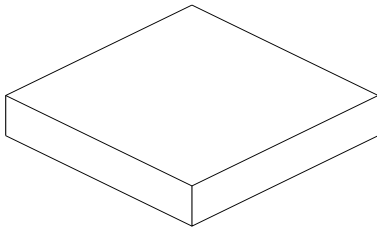
D. PACKAGE INFORMATION



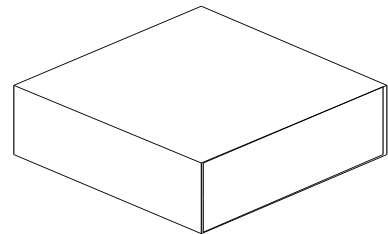
two reel



Inner Carton



two Inner Carton



Export Carton

Package Quantity:

One Reel=350Pcs

One Inner Carton=350*2=700Pcs

One Export Carton=700*2=1400Pcs

DESCRIPTION	JWD P/N	SPEC NO.	REV: R1
2.5/5G BASE-T	SQ48002-1P G		PAGE: 3/3