

# APPROVED SHEET

CUSTOMER: \_\_\_\_\_

CUSTOMER P/N: \_\_\_\_\_

JWD P/N: SM24P03-2P G

REV: R0

DESCRIPTION: 10G BASE-T

CUSTOMER APPROVAL		COMPANY APPROVAL	
INSPECTED BY:		ISSUED BY:	Sea
CHECKED BY:		CHECKED BY:	
APPROVED BY:		APPROVED BY:	
APPROVED DATE:		ISSUED DATE:	2020/4/23

Please Return One Copy to Us After Approved,TKS! (承认后请回寄一份,谢谢)



四川经纬达科技集团有限公司

Sichuan Jingweida Technology Group Co., Ltd

地址: 绵阳高新区防震减灾产业园

ADD: Protecting Against and Mitigating Earthquake Disasters Industrial Park,

High-tech Zone, Mianyang, Sichuan 621000 CHINA.

TEL: +86-816-2561202 FAX: +86-816-2562518

E-MAIL: myjwd@myjwd.com

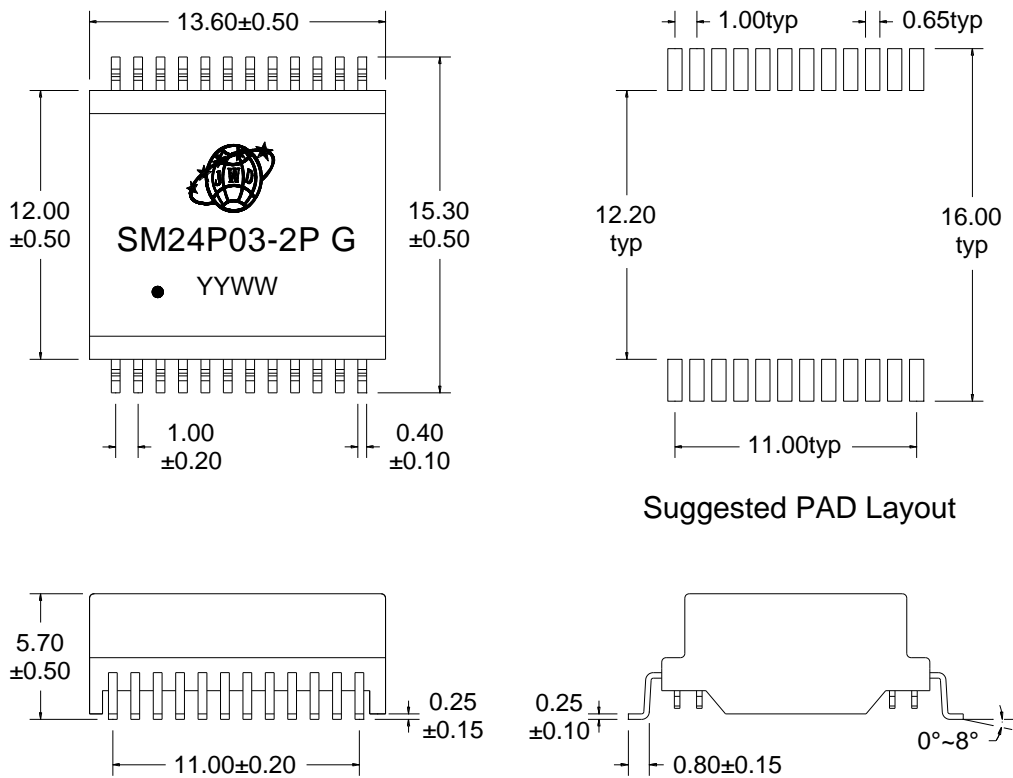
WEB: www.myjwd.com



# 四川经纬达科技集团有限公司

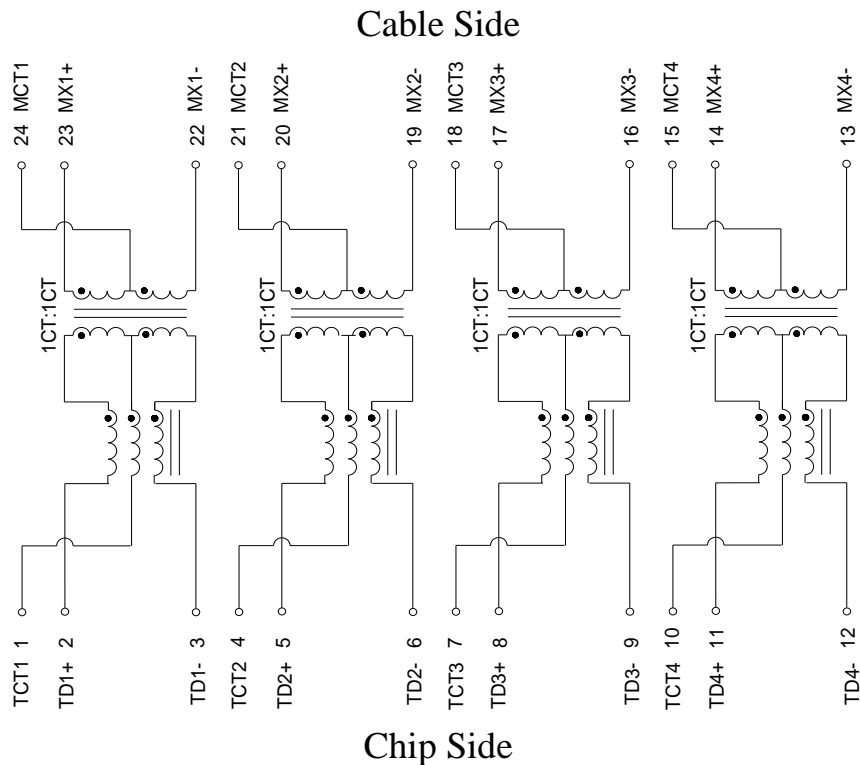
Sichuan Jingweida Technology Group Co., Ltd

## A. MECHANICAL(unit:mm)



Suggested PAD Layout

## B. SCHEMATICS



DESCRIPTION	JWD P/N	SPEC NO.	REV: R0
10G BASE-T	SM24P03-2P G		PAGE: 1/3



# 四川经纬达科技集团有限公司

Sichuan Jingweida Technology Group Co., Ltd

## C. ELECTRICAL SPECIFICATIONS @25°C

1. OCL: 120 uH Min @100KHz 0.1V with 21mA DC Bias
2. Leakage Inductance: 0.5uH Max @ 100KHz, 0.1V
3. DCR: 900mΩ Max
4. Turns Ratio: 1CT:1CT±5%
5. Insertion Loss: -1.2dB max @ 1~200 MHz  
-1.5dB max @ 200~300 MHz  
-2.0dB max @ 300~400 MHz  
-3.0dB max @ 400~500 MHz
6. Return Loss: -18 dB Min @ 1~100 MHz  
-16 dB Min @ 100~200 MHz  
-12 dB Min @ 200~300 MHz  
-10 dB Min @ 300~400 MHz  
-8 dB Min @ 400~500 MHz
7. Cross Talk: -25 dB Typ @ 1-500 MHz
8. Common Mode Rejection: -25 dB Typ @ 1-500 MHz
9. Isolation Hipot: 1500VAC 1mA 60S
10. Operating temperature 0°C to +70°C
11. Storage temperature -40°C to +85°C
12. PoE Support 60W: Each channel support 1200mA DC balance current

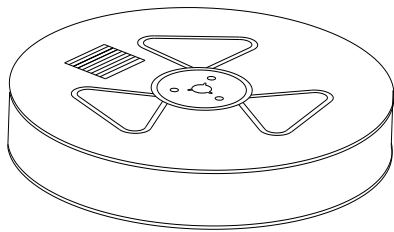
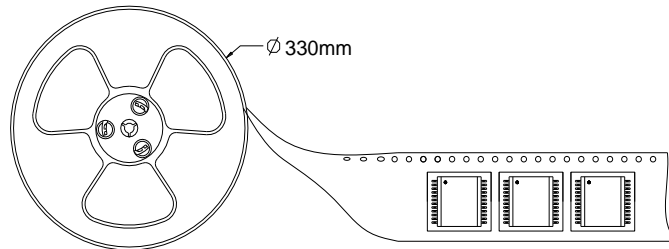
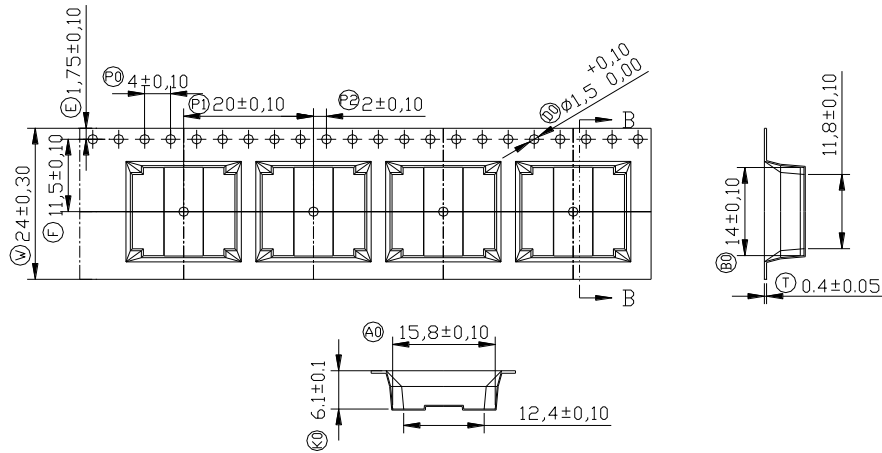
DESCRIPTION	JWD P/N	SPEC NO.	REV: R0
10G BASE-T	SM24P03-2P G		PAGE: 2/3



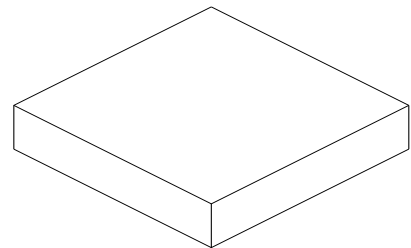
# 四川经纬达科技集团有限公司

Sichuan Jingweida Technology Group Co., Ltd

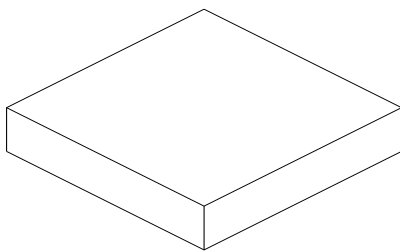
## D. PACKAGE INFORMATION



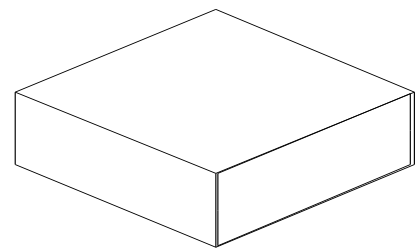
Two Reel



Inner Carton



Five Inner Carton



Export Carton

Package Quantity:

One Reel=450Pcs

One Inner Carton=450\*2=900Pcs

One Export Carton=900\*5=4500Pcs

DESCRIPTION	JWD P/N	SPEC NO.	REV: R0
10G BASE-T	SM24P03-2P G		PAGE: 3/3