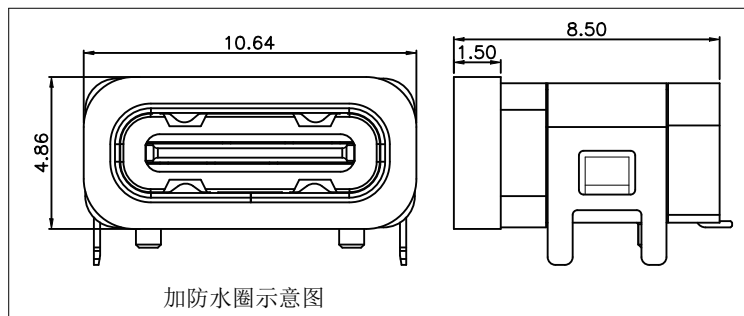
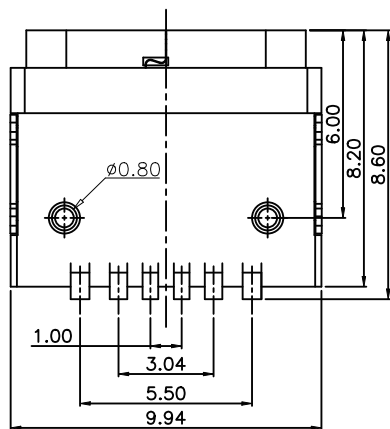
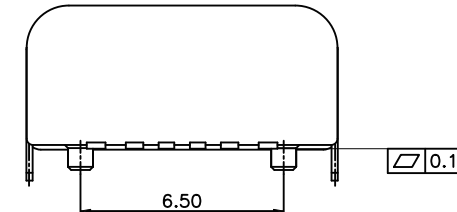
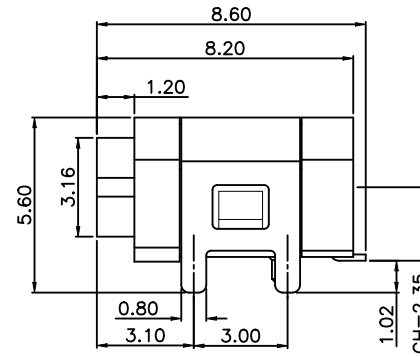
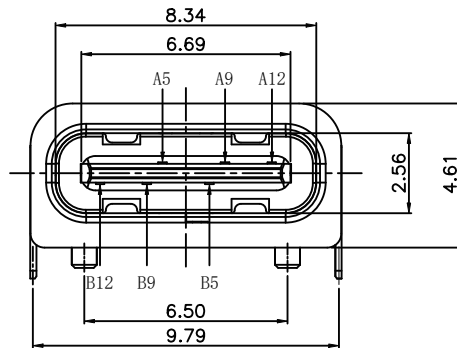


NOTES:

SPECIFICATION:

1. CURRENT RATING: 3.0A MAX
2. VOLTAGE: 100 VAC
3. TEMPERATURE RANGE: -30° C~+85° C
4. CONTACT RESISTANCE: 40 MILLIONHM MAX
5. INSULATION RESISTANCE: 100 MEGOHMS MIN
6. INSERTION FORCE: 5N~20N
7. UNMATING FORCE: 8N~20N
8. DURABILITY: 10000 CYCLES
9. WATER PROOFNESS: THIS PRODUCT IS BASED ON IPX7.



A5	CC1	B12	GND
A9	VBUS	B9	VBUS
A12	GND	B5	CC2
PIN	SIGNAL NAME	PIN	SIGNAL NAME

黑胶 LCP-V0	SUS201 镀镍50u"	SUS201 T=0.15mm	LCP UL94 V0, BK	C2680-EH, T=0.2, 半金1u"
规格	外壳	中夹片	胶体	端子

VOOHU 苏州沃虎电子科技有限公司
Su Zhou Voohu Electronic Tech.Co.Ltd

TITLE: TYPE-C 6P 防水母座
四脚插 带柱 L=8.20 CH=2.35

SIZE
A4
UNITS
MM[INCH]

GENERAL TOLERANCES
UNLESS SPECIFIED

APPROVED BY:
Geoffrey.Song

PART NO.:
WHUC.01.53-1W-0004

SACLE
1:1

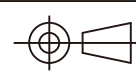
REV
A0

$x \pm 0.35$	$x^\circ \pm 3.0^\circ$
$.x \pm 0.30$	$.x^\circ \pm 2.0^\circ$

CHECKED BY:
Elvis.Song

REMARK:
端子SMT IPX7 带防水圈 (点胶)

SHEET
1/3



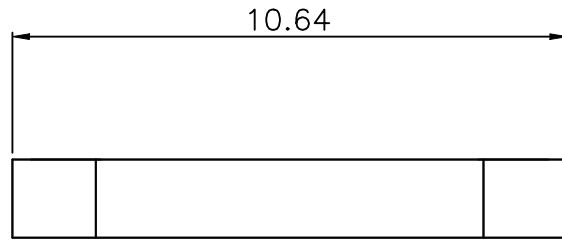
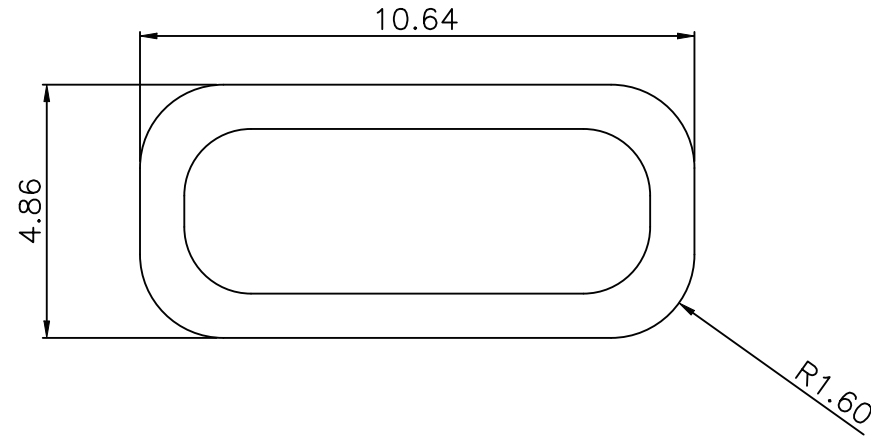
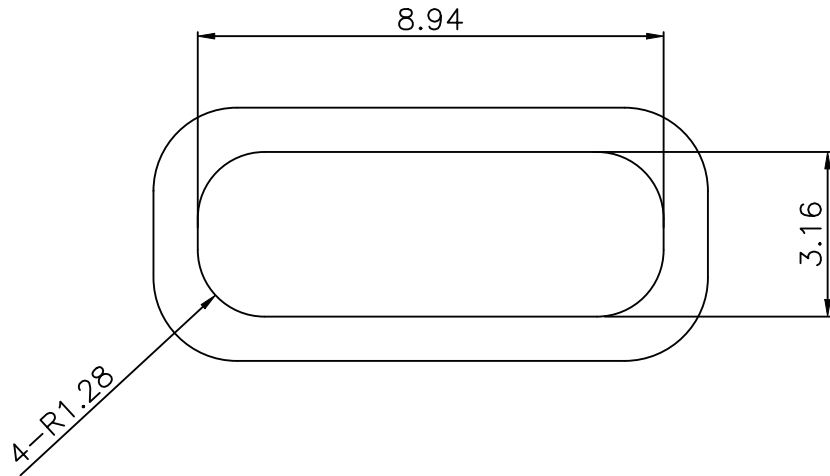
$.xx \pm 0.25$	$.xx^\circ \pm 1.5^\circ$
$.xxx \pm 0.10$	$.xxx^\circ \pm 1.0^\circ$

DESIGND BY:
Sunny.Xu

TEL: +86 400 1048 018

WEB: WWW.WOHU-TEK.COM

备注:
 1. 材质硅橡胶, 防水密封用
 2. 黑色材料
 3. 材料符合RoHS和无卤要求



A5	CC1	B12	GND
A9	VBUS	B9	VBUS
A12	GND	B5	CC2
PIN	SIGNAL NAME	PIN	SIGNAL NAME

VOOHU 苏州沃虎电子科技有限公司
 Su Zhou Voohu Electronic Tech.Co.Ltd

TITLE: TYPE-C 6P 防水母座
 四脚插 带柱 L=8.20 CH=2.35

SIZE
 A4
 UNITS
 MM[INCH]

GENERAL TOLERANCES
 UNLESS SPECIFIED

APPROVED BY:
 Geoffrey.Song

PART NO.:
 WHUC.01.53-1W-0004

SACLE
 1:1
 REV
 A0

$x \pm 0.35$	$x^\circ \pm 3.0^\circ$
$.x \pm 0.30$	$.x^\circ \pm 2.0^\circ$

CHECKED BY:
 Elvis.Song

TEL: +86 400 1048 018

WEB: WWW.WOHU-TEK.COM

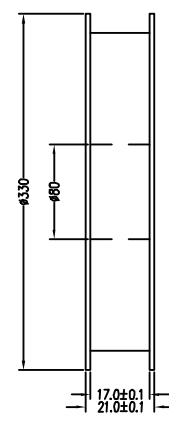
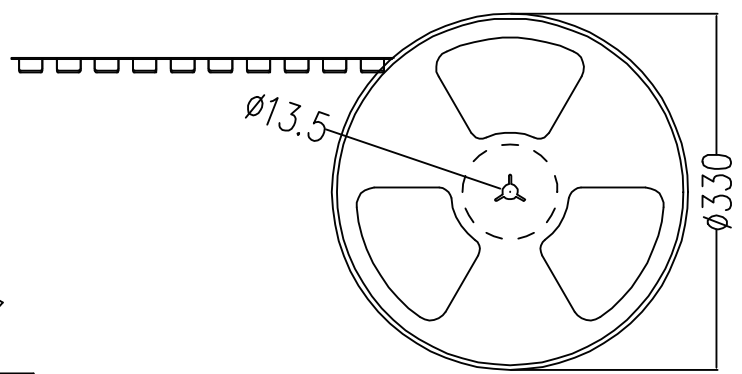
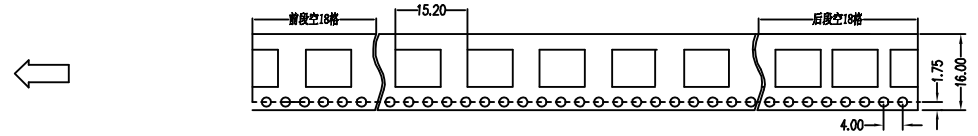
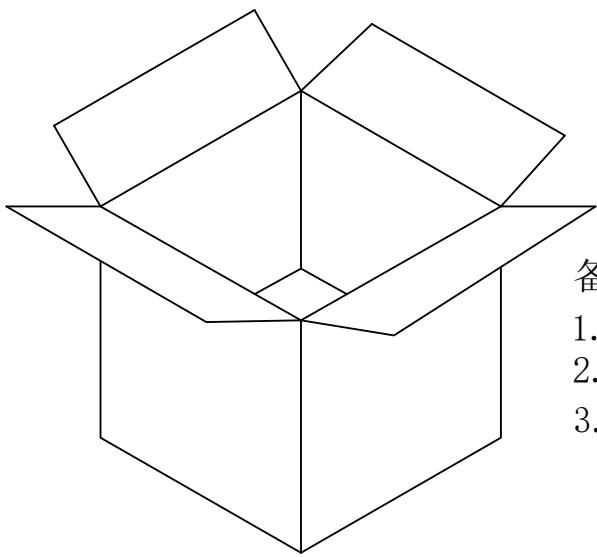
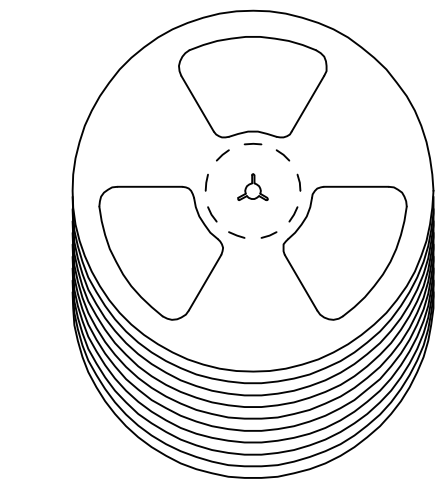
REMARK:
 端子SMT IPX7 带防水圈 (点胶)

SHEET
 2/3



$.xx \pm 0.25$	$.xx^\circ \pm 1.5^\circ$
$.xxx \pm 0.10$	$.xxx^\circ \pm 1.0^\circ$


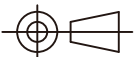
DESIGN BY:
 Sunny.Xu



备注:

1. 包装数量: 700/PCS/卷, 10卷/箱。
2. 包装袋长度: 每卷前后各空10-20个空格, 中间包装。
3. 材质:
载体: 聚丙烯 (PS),
上带: 聚乙烯 (PET),
卷盘: 聚苯乙烯。

纸箱规格: 345*345*23MM
纸箱规格: 345*345*35MM

 苏州沃虎电子科技有限公司 Su Zhou Voohu Electronic Tech.Co.Ltd	TITLE:TYPE-C 6P 防水母座 四脚插 带柱 L=8.20 CH=2.35		SIZE A4	UNITS MM[INCH]	GENERAL TOLERANCES UNLESS SPECIFIED		APPROVED BY: Geoffrey.Song
	PART NO.: WHUC.01.53-1W-0004		SACLE 1:1	REV A0	x±0.35 .x±0.30	x°±3.0° .x°±2.0°	CHECKED BY: Elvis.Song
	REMARK: 端子SMT IPX7 带防水圈 (点胶)		SHEET 3/3		.xx±0.25 .xxx±0.10	.xx°±1.5° .xxx°±1.0°	DESIGND BY: Sunny.Xu