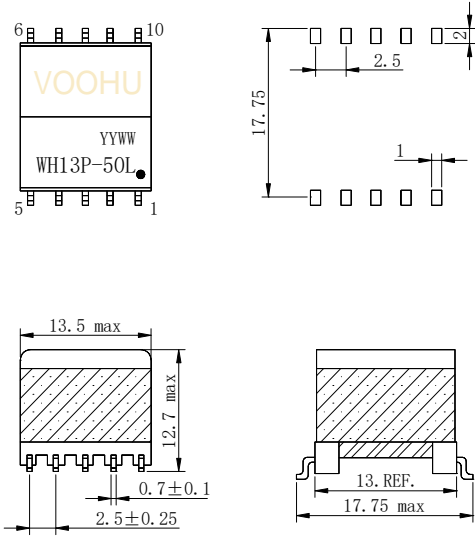
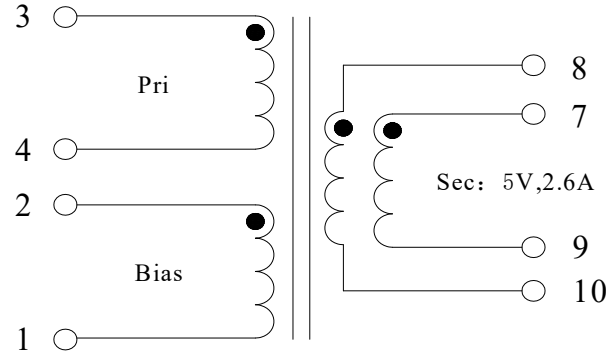


Mechanical



Schematic



Secondary windings to be connected in parallel on PC board

Flyback Transformer
RoHS Compliance Product
Surface Mount Device Providing Compact Footprint
Operating temperature range: -40°C to +85°C

NOTE:

- 1、Dimensions:mm;
- 2、 Unless otherwise specified,tolerances:±0.25(mm);

Electrical Specifications @ 25°C

| Part Number | Turns Ratio | | | OCL @250KHz 0.1V | OCL @250KHz 0.1V at 1.0A | LL @250KHz 0.1V | DCR (ΩMax) | | | Hi-Pot (1mA 2Sec) |
|-------------|-------------|-----------|-----------|------------------|--------------------------|-----------------------|------------|-------|----------|-------------------|
| | 3-4:2-1 | 3-4:7-9 | 3-4:8-10 | 3-4 | 3-4 | 3-4 (short other pin) | 3-4 | 2-1 | 7,8-9,10 | PRI-SEC |
| WH13P-50L | 1:0.5±2% | 1:0.25±2% | 1:0.25±2% | 127uH ±10% | 114.3uH MIN. | 0.95uH Max | 0.222 | 0.348 | 0.039 | 1500VAC |

VOOHU 苏州沃虎电子科技有限公司
 Su Zhou Voohu Electronic Tech.Co.Ltd

TEL: +86 400 1048 018

WEB: WWW.WOHU-TEK.COM