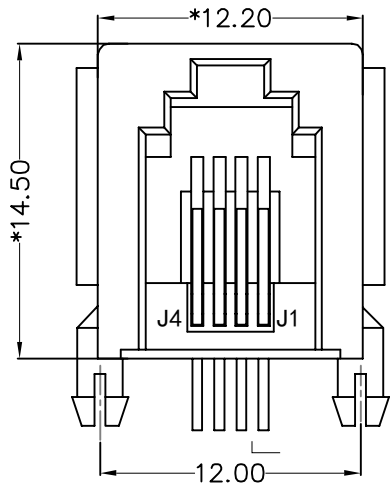
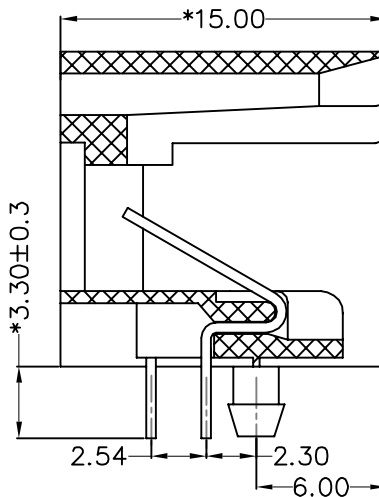


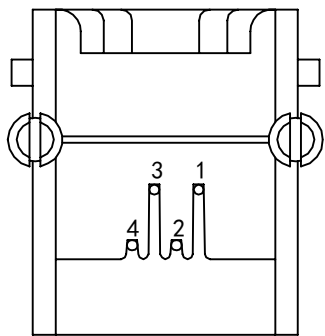
REACH & RoHS
COMPLIANT



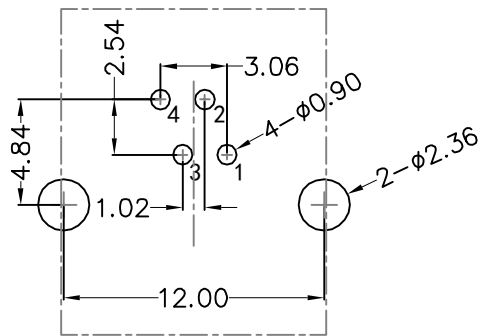
FRONT VIEW



RIGHT SIDE VIEW



BOTTOM VIEW



RECOMMENDED PCB LAYOUT
VIEWED FROM COMPONENT SIDE

MATERIAL:

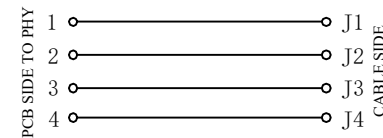
HOUSING: PBT, UL94V-0, BLACK.
TERMINAL: PHOSPHOR BRONZE $\phi=0.46\text{MM}$, G/FU" GOLD PLATING.

MACHANICAL:

DURABILITY: 750 CYCLES MIN, 12.5MM/MINUTE.
INSERTION FORCE: 2.2KG.F MAX.
RETENTION STRENGTH : 7.7KG.F BETWEEN JACK AND PLUG.
OPERATING TEMPERATURE: $-40^{\circ}\text{C} \sim +85^{\circ}\text{C}$.
STORAGE TEMPERATURE: $-40^{\circ}\text{C} \sim +85^{\circ}\text{C}$.
ALL CRITICAL DIMENSIONS WITH "**"

ELECTRICAL:

VOLTAGE: 125 VOLTS AC.
CURRENT RATING : 1.5AMP.
DIELECTRIC STRENGTH: 1000 VAC RMS 50HZ OR 60HZ, 1MIN.
INSULATION RESISTANCE: 500 MEGA OHMS MIN. INITIAL
AFTER 500V DC FOR 1 MINUTE.
CONTACT RESISTANCE: SINGLE TERMINAL 30 MILLIOHMS MAX.
INITIAL 50 MILLIOHMS MAX. AFTER
DURABILITY TEST.



VOOHU 苏州沃虎电子科技有限公司
Su Zhou Voohu Electronic Tech.Co.Ltd

TITLE:
RJ11 4P4C 1*1

SIZE
A4

UNITS
MM[INCH]

GENERAL TOLERANCES
UNLESS SPECIFIED

APPROVED BY:
Geoffrey.Song

PART NO.:
SYT5523E1144IWA1DY1006

SACLE
1:1

REV
A0

$x \pm 0.35$
 $.x \pm 0.30$
 $.xx \pm 0.25$
 $.xxx \pm 0.10$

$x^{\circ} \pm 3.0^{\circ}$
 $.x^{\circ} \pm 2.0^{\circ}$
 $.xx^{\circ} \pm 1.5^{\circ}$
 $.xxx^{\circ} \pm 1.0^{\circ}$

CHECKED BY:
Elvis.Song
DESIGND BY:
Sunny.Xu

REMARK:

SHEET
1/1



TEL: +86 400 1048 018

WEB: WWW.WOHU-TEK.COM