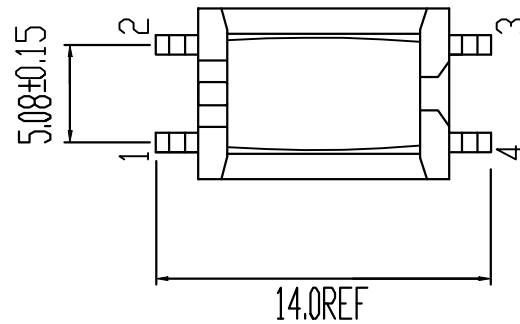
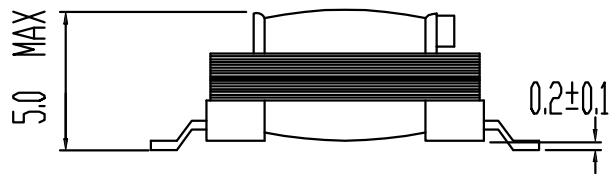


“•” PHASE POINT



ELECTRICAL CHARACTERISTICS:

1.DCR:

PIN3-4=130 OHM MAX
PIN1-2=160 OHM MAX

2.INDUCTANCE:1KHz,1.0Vrms

PIN1-2=1.1H MIN

3.LEAKAGE INDUCTANCE:10KHz,0.1Vrms

PIN1-2=700UH MAX(3-4SHORT)

4.CAPACITANCE:1KHz,0.1Vrms

PIN1-3=50PF MAX

5.TURN RATIO:3KHz,0.1Vrms

PIN1-2:4-3=1.0±2%

4.HI-POT:

1250VAC,1mA,2sec
Pri-Sec-CORE

5.ROHS COMPLIANT

VOOHU 苏州沃虎电子科技有限公司
Su Zhou Voohu Electronic Tech.Co.Ltd

TITLE:
TRANSFORMER

PART NO.:
WHTT4005

REMARK:

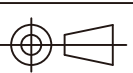
SIZE
A4

SACLE
1:1

SHEET
1/1

UNITS
MM[INCH]

REV
A0



GENERAL TOLERANCES
UNLESS SPECIFIED

x±0.35	x°±3.0°
.x±0.30	.x°±2.0°
.xx±0.25	.xx°±1.5°
.xxx±0.10	.xxx°±1.0°

APPROVED BY:
Geoffrey.Song

CHECKED BY:
Elvis.Song

DESIGND BY:
Sunny.Xu

TEL: +86 400 1048 018

WEB: WWW.WOHU-TEK.COM