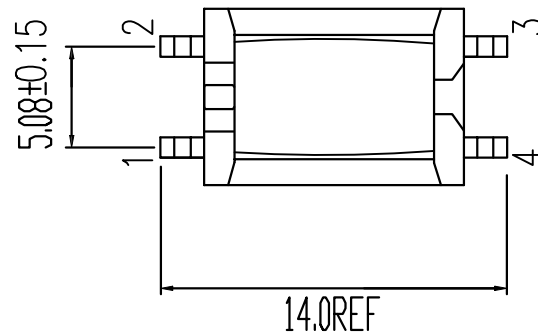
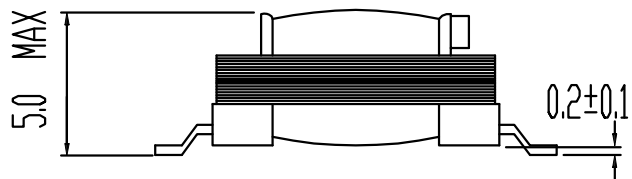


“•” PHASE POINT



ELECTRICAL CHARACTERISTICS:

1.DCR:

PIN3-4=135 OHM MAX

PIN1-2=160 OHM MAX

2.INDUCTANCE:1KHz,1.0Vrms

PIN1-2=1.3H MIN

3.TURN RATIO:10KHz,0.1Vrms

PIN1-2: 4-3=1.0±2%

4.HI-POT:

1000Vac,1mA,2sec

Pri-Sec

5.ROHS COMPLIANT

VOOHU 苏州沃虎电子科技有限公司
Su Zhou Voohu Electronic Tech.Co.Ltd

TITLE:
TRANSFORMER

SIZE
A4
UNITS
MM[INCH]

GENERAL TOLERANCES
UNLESS SPECIFIED

APPROVED BY:
Geoffrey.Song

PART NO.:
WHTT4009

SACLE
1:1

REV
A0

x±0.35	x°±3.0°
.x±0.30	.x°±2.0°

CHECKED BY:
Elvis.Song

TEL: +86 400 1048 018

WEB: WWW.WOHU-TEK.COM

REMARK:

SHEET
1/1



.xx±0.25	.xx°±1.5°
.xxx±0.10	.xxx°±1.0°

DESIGND BY:
Sunny.Xu