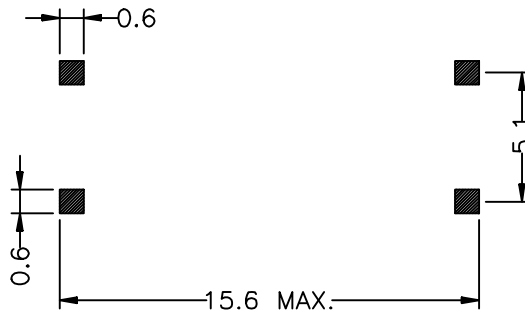
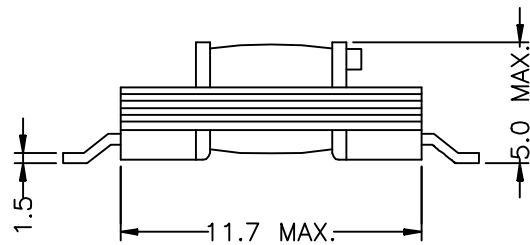
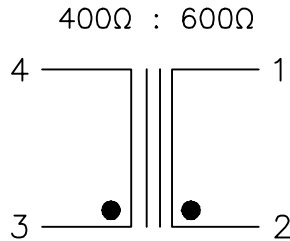
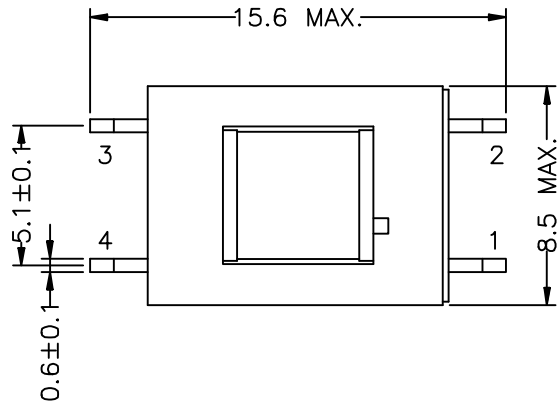


REACH & RoHS
COMPLIANT



ELECTRICAL CHARACTERISTICS :

1.DCR : PIN 1-2 = 118Ω MAX.
PIN 3-4 = 140Ω MAX.

2.INDUCTANCE (200Hz, 1.0Vrms)
PIN 1-2 = 4-3 = 2H MIN.

3.IMPEANCE (1KHz, 1.0Vrms, LOAD 400Ω) 1-2 = 600Ω ±10%
4.INSERTION LOSS (200Hz-4KHz) 3.85dB MAX.

5.RETURN LOSS (200Hz-4KHz) 35dB TYP.

6.TURN RATIO : (15KHz, 1Vrms) 1-2 : 4-3 = 1 : 1 ±2%

7.HI-POT (1500VAC, 1mA, 2SEC) PRI-SEC

8.RoHS COMPLIANTE

VOOHU 苏州沃虎电子科技有限公司
Su Zhou Voohu Electronic Tech.Co.Ltd

TITLE:
POTS TRANSFORMER

SIZE
A4

UNITS
MM[INCH]

GENERAL TOLERANCES
UNLESS SPECIFIED

APPROVED BY:
Geoffrey.Song

PART NO.:
WHTT4102

SACLE
1:1

REV
A0

$x \pm 0.35$
 $.x \pm 0.30$

CHECKED BY:
Elvis.Song

TEL: +86 400 1048 018

WEB: WWW.WOHU-TEK.COM

REMARK:

SHEET
1/1



$.xx \pm 0.25$
 $.xxx \pm 0.10$

DESIGND BY:
Sunny.Xu