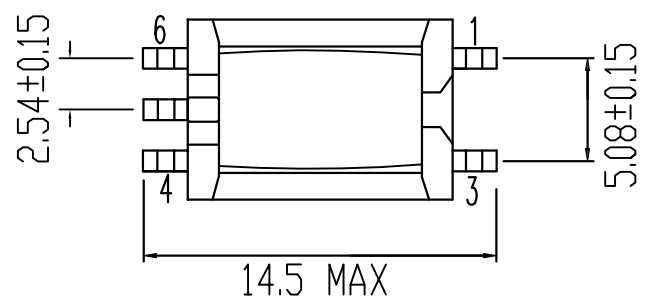
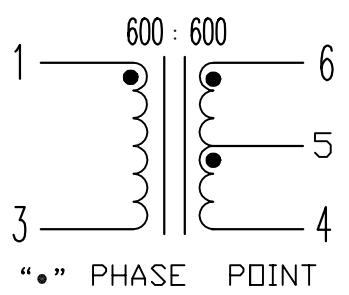

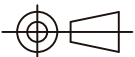


ELECTRICAL CHARACTERISTICS:

- 1.DCR:  
PIN1-3=65 OHM MAX  
PIN4-6=75 OHM MAX
- 2.PARALLEL INDUCTANCE:(1KHz,1.0Vrms)  
PIN1-3=1.2H MIN
- 3.INSERTION LOSS:1KHz,1.0Vrms  
1.3dB MAX
- 4.RETURN LOSS:From 300Hz-3.5KHz  
20dB MIN
- 5.TURN RATIO:10kHz,1.0Vrms)  
PIN1-3:6-4=1.0±2%
- 6.HI-POT:  
1000Vac,1mA,2sec  
Pri-Sec
- 7.ROHS COMPLIANT



 <b>苏州沃虎电子科技有限公司</b> Su Zhou Voohu Electronic Tech.Co.Ltd		TITLE: POTS TRANSFORMER	SIZE A4	UNITS MM[INCH]	GENERAL TOLERANCES UNLESS SPECIFIED		APPROVED BY: Geoffrey.Song
		PART NO.: WHTT5005	SACLE 1:1	REV A0	x±0.35	x°±3.0°	CHECKED BY: Elvis.Song
TEL: +86 400 1048 018	WEB: WWW.WOHU-TEK.COM	REMARK:	SHEET 1/1		.xx±0.25	.xx°±1.5°	DESIGND BY: Sunny.Xu
					.xxx±0.10	.xxx°±1.0°	