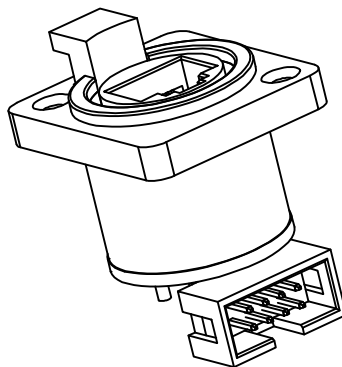
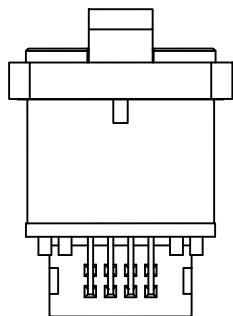
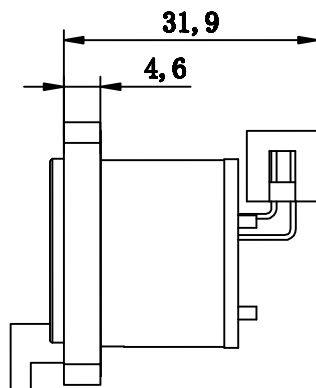
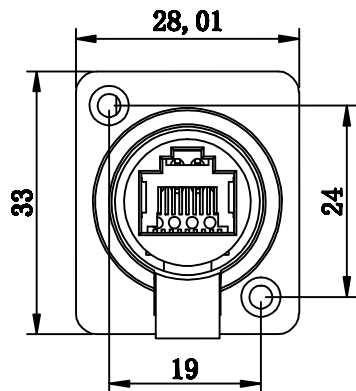
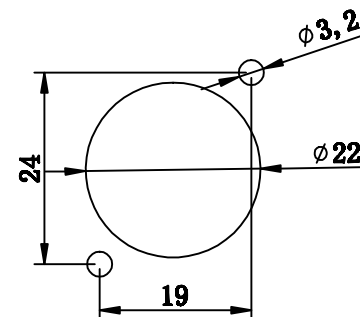


REACH & RoHS  
COMPLIANT



**General Specification**  
**Current Rating:**1.5A DC /Contact, 20mA DC for LED signals  
**Voltage Rating:**125V AC /Contact, 2.0 volts Dc for LED signals  
**Operating Environment**  
**Standard Temperature:**-20°C~+70°C  
**Industrial Temperature:**-40°C~+85°C  
**Humidity:** 20~70%  
**Contact Resistance:**≤30m  
**Insulation Resistance:**≥500M  
**Dielectric Strength:**500V AC/(50HZ)/Min  
**Mating And Unmating Force:**3~20N  
**Durability:**1000 Cycles Min

**Material Specification**  
**Housing :**Thermo-plastic, UL94V-0.  
**Contact :**Alloy Copper  
**Shield :**Alloy Copper  
 Please refer to the customer drawing when customer has specified



**Frontplattenausschnitt (Rueckseite)**  
**Panel cut out (rear side)**

9	Straight through core	/	1	LCP/No coating	
8	/	/	1	/	
7	Soft rubber inner pad	silica gel(50%)	1	BLACK	
6	Press handle	stainless steel	1	NI	
5	shrapnel	manganese steel	1	NI	
4	/	/	1	BLACK	
3	Metal panel	kirsite	1	NI	
2	PIN INSERTION	PHOSPHOR BRONZE	8	1U"	
1	PLASTIC BASE	PA66	1	BLACK	
SERIAL NUMBER	NAME	MATERIALS	QUANTITY	COATING/ COLOUR	NOTES

**TITLE:**  
63 N90 with lock

**SIZE**  
A4

**UNITS**  
MM[INCH]

**GENERAL TOLERANCES**  
UNLESS SPECIFIED

**APPROVED BY:**  
Geoffrey.Song

**PART NO.:**  
WH63N9080001051AB33

**SACLE**  
1:1

**REV**  
A0

$x \pm 0.35$   
 $.x \pm 0.30$

$x^\circ \pm 3.0^\circ$   
 $.x^\circ \pm 2.0^\circ$

**CHECKED BY:**  
Elvis.Song

**REMARK:**

**SHEET**  
1/1



$.xx \pm 0.25$   
 $.xxx \pm 0.10$

$.xx^\circ \pm 1.5^\circ$   
 $.xxx^\circ \pm 1.0^\circ$

**DESIGND BY:**  
Sunny.Xu

**VOOHU** 苏州沃虎电子科技有限公司  
Su Zhou Voohu Electronic Tech.Co.Ltd

TEL: +86 400 1048 018

WEB: WWW.WOHU-TEK.COM