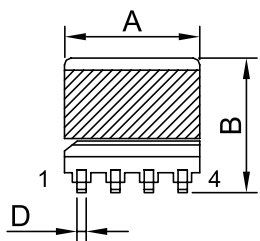
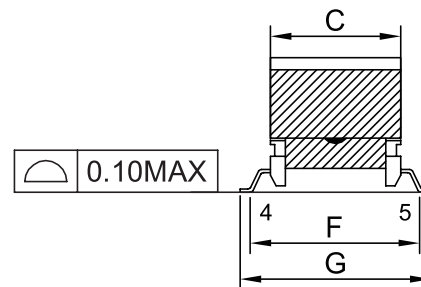


REACH & RoHS
COMPLIANT

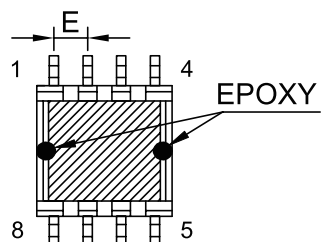
1. OUTLINE DIMENSION:(UNIT:mm)/外形尺寸 (单位: mm)



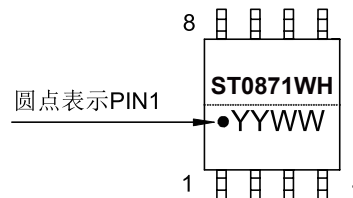
ELEVATION



SIDE VIEW



BOTTOM VIEW



NOTE:

- 1.N1绕组不交叉.
- 2.所有绝缘胶带用高温胶带.
- 3.磁芯单边开气隙(装于PIN1-4侧), 外包5mm胶带2Ts.
- 4.底部磁芯接合处点黑胶固定并连接线包上.(如图)
- 5.产品平贴度0.1mm MAX.
- 6.产品含浸.
- 7.产品顶部印标签,要求激光镭射.

A	B	C	D	E	F	G
10.5MAX	10.5MAX	9.0MAX	0.70±0.1	2.5±0.3	7.5±0.3	8.9±0.5

VOOHU 苏州沃虎电子科技有限公司
Su Zhou Voohu Electronic Tech.Co.Ltd

TITLE:
变压器/TRANSFORMER

SIZE
A4

UNITS
MM[INCH]

GENERAL TOLERANCES
UNLESS SPECIFIED

APPROVED BY:
Geoffrey.Song

PART NO.:
ST0871WH

SACLE
1:1

REV
A0

$x \pm 0.35$	$x^\circ \pm 3.0^\circ$
$.x \pm 0.30$	$.x^\circ \pm 2.0^\circ$
$.xx \pm 0.25$	$.xx^\circ \pm 1.5^\circ$
$.xxx \pm 0.10$	$.xxx^\circ \pm 1.0^\circ$

CHECKED BY:
Elvis.Song

TEL: +86 400 1048 018

WEB: WWW.WOHU-TEK.COM

REMARK:

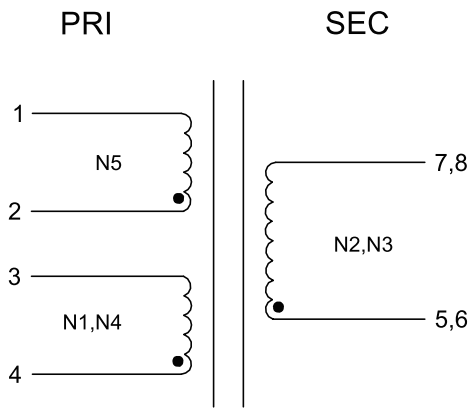
SHEET
1/3



DESIGND BY:
Sunny.Xu

REACH & RoHS
COMPLIANT

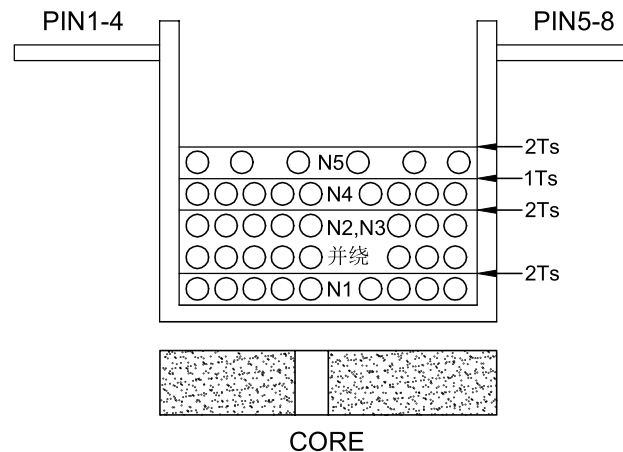
2. CIRCUIT DIAGRAM/电气原理图



● START

PIN5,6 & PIN7,8分别在PCB上短接在一起.

3. CONSTRUCTION DIAGRAM/内部结构图



4.WINDING INFORMATIONS TABLE/绕制明细表

绕组 WINDING	挡墙胶带 MARGIN TAPE		起始-收尾 S - F	线材 WIRE	圈数 TURNS	绝缘胶带 TAPE 4mm	备注 REMARK
	PIN1-4 SIDE	PIN5-8 SIDE					
N1	/	/	4--3	2UEW-H Ø0.21	14Ts	2Ts	密绕/CLOSE
N2	/	/	5--7	2UEW-H Ø0.20*2P	7Ts	2Ts	并绕/BIFILAR
N3	/	/	6--8	2UEW-H Ø0.20*2P	7Ts		
N4	/	/	4--3	2UEW-H Ø0.21	14Ts	1Ts	密绕/CLOSE
N5	/	/	2--1	2UEW-H Ø0.15	6Ts	2Ts	散绕/SPACE

- 1.N1绕组不交叉.
- 2.所有绝缘胶带用高温胶带.
- 3.PIN1,2共一个槽, PIN7,8共一个槽,

VOOHU 苏州沃虎电子科技有限公司
Su Zhou Voohu Electronic Tech.Co.Ltd

TITLE:
变压器/TRANSFORMER

SIZE
A4

UNITS
MM[INCH]

GENERAL TOLERANCES
UNLESS SPECIFIED

APPROVED BY:
Geoffrey.Song

PART NO.:
ST0871WH

SACLE
1:1

REV
A0

$x \pm 0.35$ $x^\circ \pm 3.0^\circ$
 $.x \pm 0.30$ $.x^\circ \pm 2.0^\circ$

CHECKED BY:
Elvis.Song

TEL: +86 400 1048 018

WEB: WWW.WOHU-TEK.COM

REMARK:

SHEET
2/3



$.xx \pm 0.25$ $.xx^\circ \pm 1.5^\circ$
 $.xxx \pm 0.10$ $.xxx^\circ \pm 1.0^\circ$

DESIGND BY:
Sunny.Xu

REACH & RoHS
COMPLIANT

5. CHARACTERISTIC /电气性能

NO. 序号	ITEM 项目	TERT POINT 测试点	TECHNICAL CRITERION 技术标准	TEST CONDITION & INSTRUMENT 测试条件&仪器
1	INDUCTANCE 电感	L (4-3)	16uH±10%	CHROMA3250(100Ω) 100KHz/1V AT 25°C
2	LEAKAGE INDUCTANCE 漏感	LK(4-3) SHORT OTHER PINS	0.5uH MAX	CHROMA3250(100Ω) 100KHz/1V AT 25°C
3	DCR 直流电阻	R(4-3)	95mΩ MAX	TH2511 AT25°C
		R(5,6-7,8)	30mΩ MAX	
		R(2-1)	165mΩ MAX	
4	HI-POT 抗电强度	PRI-SEC	AC1000V	CHROMA19053 1mA 3SEC 50Hz
		PRI-CORE	AC500V	
		SEC-CORE	AC500V	
5	INSULATION RESISTANCE 绝缘电阻	PRI-SEC	100MΩ MIN	CHROMA19053 DC 500V
		PRI-CORE	100MΩ MIN	
		SEC-CORE	100MΩ MIN	
6	OPERATING TEMPERATURE (INCLUDING SELF TEMPERATURE RISE)		-40°C TO 125°C	
7	STORAGE TEMPERATURE		-40°C TO 125°C	

Between-20°C to 80°C test inductance and
resistance on the basis of 25°C,
The variation shall not exceed 20%.

VOOHU 苏州沃虎电子科技有限公司
Su Zhou Voohu Electronic Tech.Co.Ltd

TITLE:
变压器/TRANSFORMER

SIZE
A4
UNITS
MM[INCH]

GENERAL TOLERANCES
UNLESS SPECIFIED

APPROVED BY:
Geoffrey.Song

PART NO.:
ST0871WH

SACLE
1:1
REV
A0

x±0.35
.x±0.30
x°±3.0°
.x°±2.0°

CHECKED BY:
Elvis.Song

TEL: +86 400 1048 018

WEB: WWW.WOHU-TEK.COM

REMARK:

SHEET
3/3



.xx±0.25
.xxx±0.10
.xx°±1.5°
.xxx°±1.0°

DESIGND BY:
Sunny.Xu