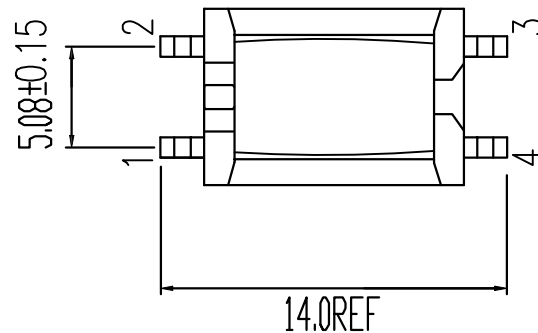
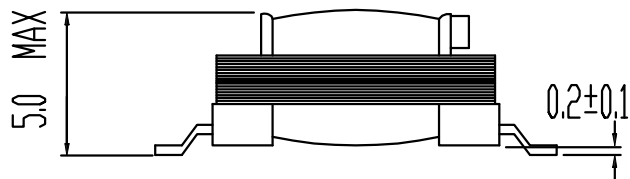


“•” PHASE POINT



ELECTRICAL CHARACTERISTICS:

1.DCR:

PIN3-4=135 OHM MAX

PIN1-2=160 OHM MAX

2.INDUCTANCE: 1KHz, 1.0Vrms

PIN1-2=1.3H MIN

3.TURN RATIO: 10KHz, 0.1Vrms

PIN1-2: 4-3=1.0±2%

4.HI-POT:

1000Vac, 1mA, 2sec

Pri-Sec

5.ROHS COMPLIANT

**VOOHU** 苏州沃虎电子科技有限公司  
Su Zhou Voohu Electronic Tech.Co.Ltd

TITLE:  
Audio Transformer

SIZE  
A4 UNITS  
MM[INCH]

GENERAL TOLERANCES  
UNLESS SPECIFIED

APPROVED BY:  
Geoffrey.Song

PART NO.:  
WHTT4009

SACLE  
1:1 REV  
A0

$x \pm 0.35$	$x^\circ \pm 3.0^\circ$
$.x \pm 0.30$	$.x^\circ \pm 2.0^\circ$

CHECKED BY:  
Elvis.Song

TEL: +86 400 1048 018

WEB: [WWW.WOHU-TEK.COM](http://WWW.WOHU-TEK.COM)

REMARK:

SHEET  
1/1



$.xx \pm 0.25$	$.xx^\circ \pm 1.5^\circ$
$.xxx \pm 0.10$	$.xxx^\circ \pm 1.0^\circ$

DESIGND BY:  
Sunny.Xu