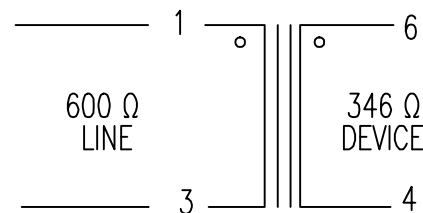
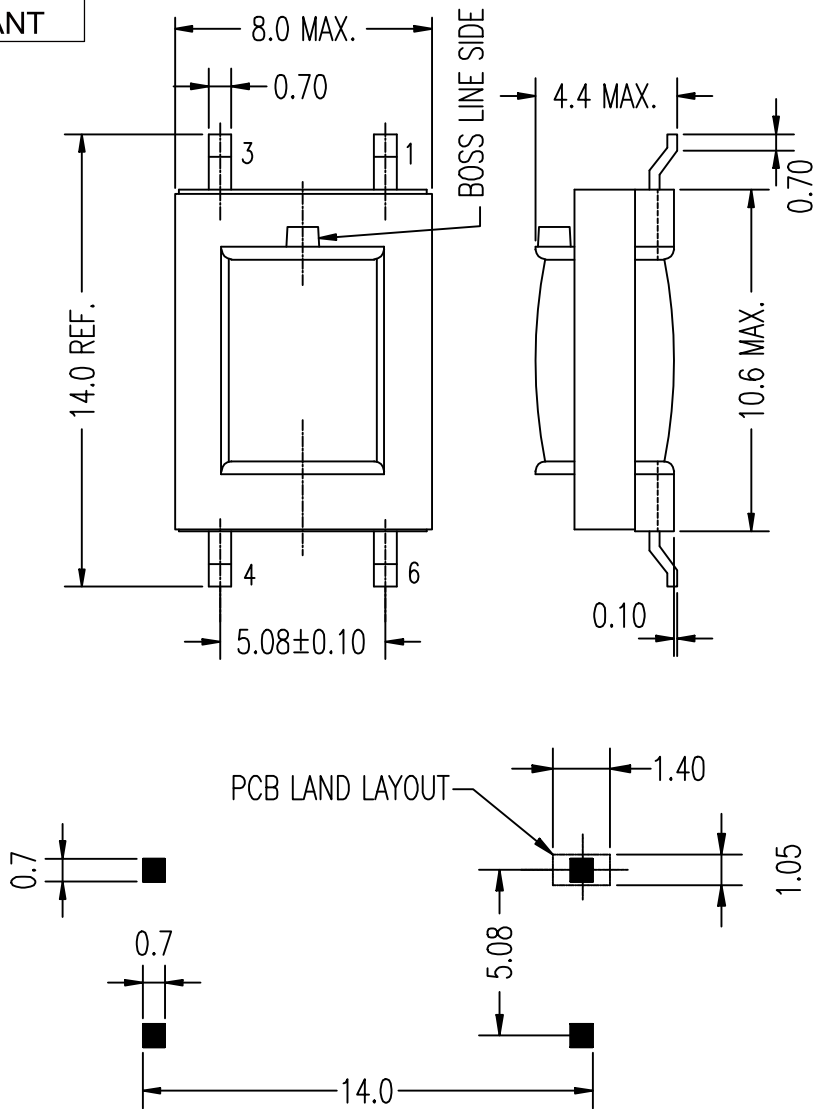


REACH & RoHS
COMPLIANT



ELECTRICAL CHARACTERISTICS: (TRUE V.34 FOR SMT)

1. DCR PIN 1-3 = $157\Omega \pm 10\%$ PIN 4-6 = $146\Omega \pm 10\%$
2. INDUCTANCE (@250Hz, 0.5Vrms, PARALLEL) 1-3 = 3.5H MIN.
3. IMPEDANCE (@ 1KHz, 0dBm, 6-4 W/H 346 Ω)
1-3 = $600\Omega \pm 10\%$
4. INSERTION LOSS = 2.9 ± 0.1 dB
(AT 1KHz, 0dBm, 1-3 W/H 600 Ω , 6-4 W/H 346 Ω)
5. FREQ. RESP. (@ 300Hz TO 4KHz, REF. 1KHz) = ± 0.1 dB
6. RETURN LOSS(Ref. 600 Ω , 6-4 W/H 346 Ω):
@300Hz = 25dB MIN. @1KHz = 25dB MIN. @4KHz = 25dB MIN.
- 7 TURN RATIO = (@30KHz, 0.1Vrms)1:1 $\pm 1\%$
8. POLARITY = PIN 1-6 INPHASE
9. LONGITUDINAL BAL. = 70dB MIN. (@ 200Hz TO 4KHz)
10. T.H.D. (@600Hz, -10dBm, INPUT 600 Ω , 6-4 W/H 346 Ω)
= -82dB MAX.
11. HI-POT = 1250 VAC, 1mA, 2SEC. (PRI.-SEC.)
12. INSULATION RESISTANCE : (@500VDC)
PRI.-SEC. = 100M Ω MIN.
13. RoHS COMPLIANT

UNLESS OTHERWISE SPECIFIED ALL TOLERANCES ARE ± 0.25

VOOHU 苏州沃虎电子科技有限公司
Su Zhou Voohu Electronic Tech.Co.Ltd

TITLE:
Audio Transformer

SIZE
A4

UNITS
MM[INCH]

GENERAL TOLERANCES
UNLESS SPECIFIED

APPROVED BY:
Geoffrey.Song

PART NO.:
WHTT40013

SACLE
1:1

REV
A0

$x \pm 0.35$
 $.x \pm 0.30$
 $.xx \pm 0.25$
 $.xxx \pm 0.10$

$x^\circ \pm 3.0^\circ$
 $.x^\circ \pm 2.0^\circ$
 $.xx^\circ \pm 1.5^\circ$
 $.xxx^\circ \pm 1.0^\circ$

CHECKED BY:
Elvis.Song
DESIGND BY:
Sunny.Xu

REMARK:

SHEET
1/1



TEL: +86 400 1048 018

WEB: WWW.WOHU-TEK.COM