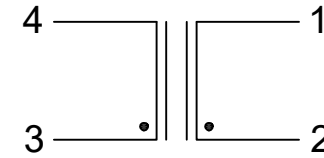
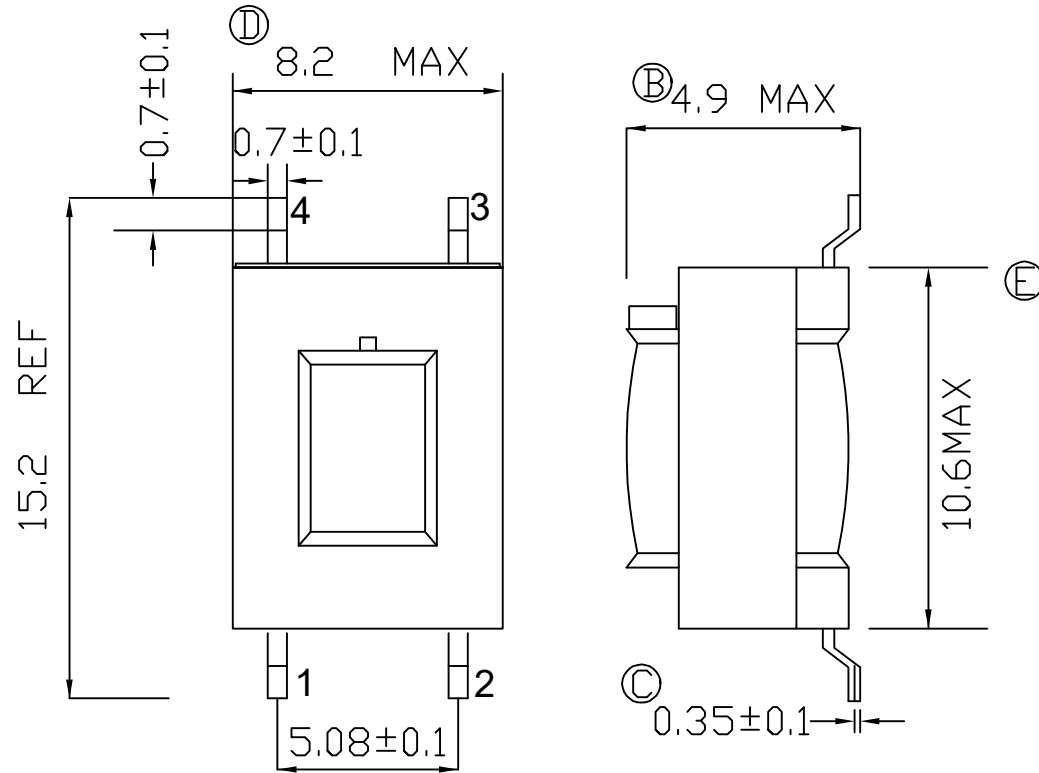


REACH & RoHS  
COMPLIANT



**ELECTRICAL CHARACTERISTICS:**

1. DCR: PIN3-4=133 OHM MAX at 20°C  
PIN1-2=160 OHM MAX
2. INDUCTANCE: (@1kHz, 0.3Vrms)  
PIN1-2=3-4=1.1H MIN
3. LEAKAGE INDUCTANCE: (@10kHz, 0.1Vrms)  
PIN1-2=700uH MAX(3-4 SHORT)
4. CAPACITANCE:  
PIN1-3=50pF MAX
5. TURNRATIO: (@3kHz, 0.1Vrms)  
PIN1-2: 4-3=1±3%
6. HI- POT : ( 1250VAC, 1mA, 2SEC)  
PRI- SEC-CORE
7. ROHS COMPLIANT

**VOOHU** 苏州沃虎电子科技有限公司  
Su Zhou Voohu Electronic Tech.Co.Ltd

TITLE:  
Audio Transformer

SIZE  
A4  
UNITS  
MM[INCH]

GENERAL TOLERANCES  
UNLESS SPECIFIED

APPROVED BY:  
Geoffrey.Song

PART NO.:  
WHTT4101

SACLE  
1:1

REV  
A0

$x \pm 0.35$	$x^\circ \pm 3.0^\circ$
$.x \pm 0.30$	$.x^\circ \pm 2.0^\circ$

CHECKED BY:  
Elvis.Song

TEL: +86 400 1048 018

WEB: WWW.WOHU-TEK.COM

REMARK:

SHEET  
1/1



$.xx \pm 0.25$	$.xx^\circ \pm 1.5^\circ$
$.xxx \pm 0.10$	$.xxx^\circ \pm 1.0^\circ$

DESIGND BY:  
Sunny.Xu