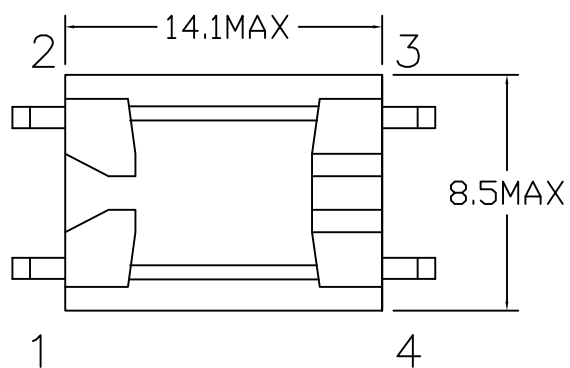
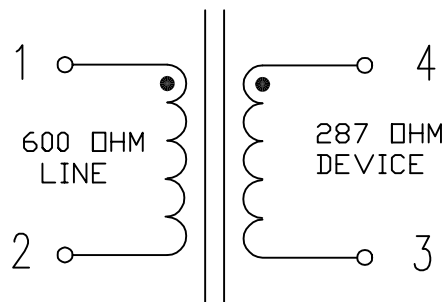
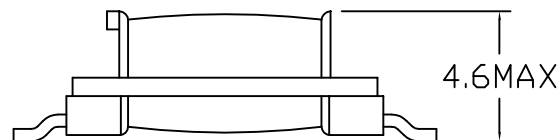
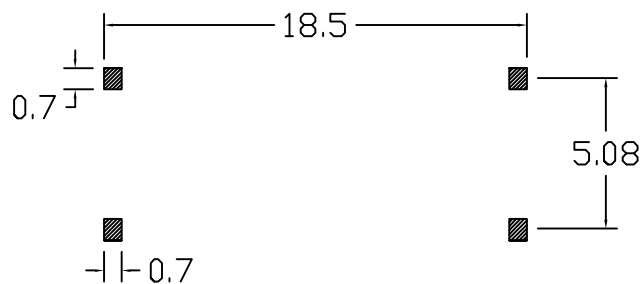
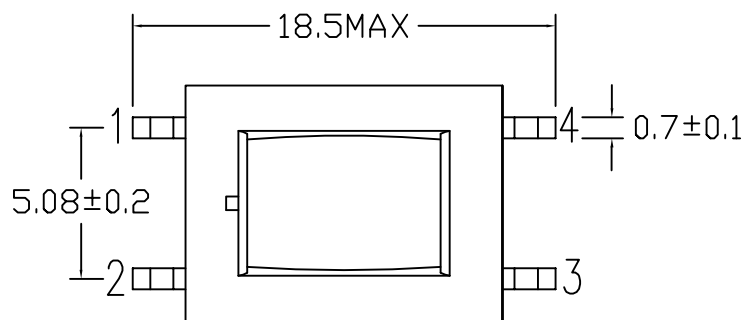


REACH & RoHS  
COMPLIANT



ELECTRICAL CHARACTERISTICS:

- 1.DCR:
  - PIN1-2=155 OHM ±10%
  - PIN3-4=144 OHM ±10%
- 2.INDUCTANCE:@1KHz,1Vrms LP
  - PIN1-2=3H MIN
- 3.INSERTION LOSS:
  - (@1KHz,0dB,PIN3-4 W/H287 OHM)
  - PIN1-2=3.5dB MAX
- 4.FREQ RESP(REF,1KHz):
  - @200Hz-4KHz=±0.3dB
- 5.RETURN LOSS(REF,600 OHM):
  - @200Hz-4KHz=20dB MIN
- 6.TURN RATIO:15KHz,1Vrms
  - PIN1-2:4-3=1±2%
- 7.T.H.D(@600Hz,-10dBm):
  - 82dB MAX
- 8.HI-POT:
  - 1650VAC 1mA 2SEC:P-S
- 9.ROHS COMPLIANT

TITLE:  
Audio Transformer

SIZE  
A4  
UNITS  
MM[INCH]

GENERAL TOLERANCES  
UNLESS SPECIFIED

APPROVED BY:  
Geoffrey.Song

PART NO.:  
WHTT4201

SACLE  
1:1

REV  
A0

x±0.35	x°±3.0°
.x±0.30	.x°±2.0°

CHECKED BY:  
Elvis.Song

REMARK:

SHEET  
1/1



.xx±0.25	.xx°±1.5°
.xxx±0.10	.xxx°±1.0°

DESIGND BY:  
Sunny.Xu

**VOOHU** 苏州沃虎电子科技有限公司  
Su Zhou Voohu Electronic Tech.Co.Ltd

TEL: +86 400 1048 018

WEB: WWW.WOHU-TEK.COM