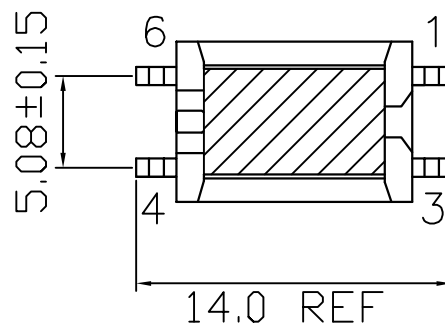
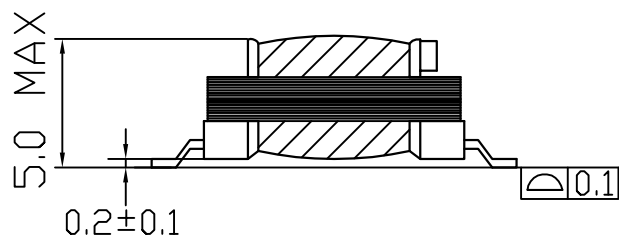
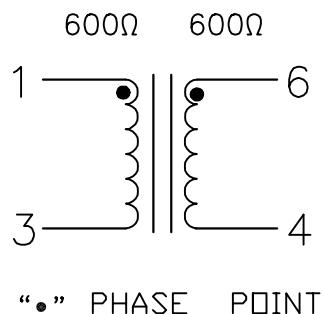
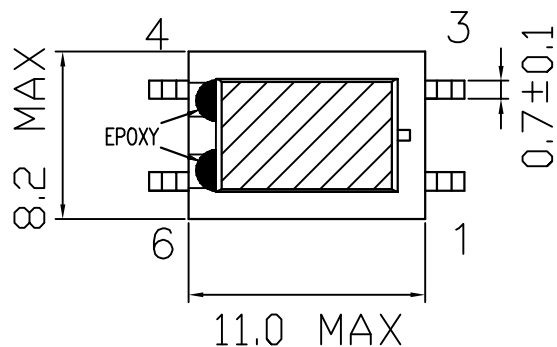


REACH & RoHS
COMPLIANT

1. Electric Characteristic & Dimensions (电气特性及尺寸) unit:mm



ELECTRICAL CHARACTERISTICS:

1.DCR:

PIN1-3=73 Ω±10%
PIN4-6=73 Ω±10%

2.INDUCTANCE: (PARALLEL@250Hz,0.5Vrms)

PIN1-3=2H MIN

3.IMPEDANCE:1KHz,0.5Vrms

PIN 6-4 W/H 600 Ω
PIN1-3=600 Ω±20%

4.INSERTION LOSS:1KHz,0dB

1.5dB MAX

5.RETURN LOSS:

300Hz=20dB MIN
1KHz=20dB MIN
4KHz=20dB MIN

6.FREQUENCY RESPONSE:REF 1KHz,0.78mVrms

From 300Hz-4KHz=±0.2dB

7.TURN RATIO:250Hz,0.5Vrms

PIN1-3:6-4=1.0±1%

8.HI-POT:

50Hz,1250VAC,1mA,2sec
Pri - Sec

9.ROHS COMPLIANT

VOOHU 苏州沃虎电子科技有限公司
Su Zhou Voohu Electronic Tech.Co.Ltd

TITLE:
TRANSFORMER

SIZE
A4 UNITS
MM[INCH]

GENERAL TOLERANCES
UNLESS SPECIFIED

APPROVED BY:
Geoffrey.Song

PART NO.:
WHTT4V150

SACLE
1:1 REV
A0

x±0.35	x°±3.0°
.x±0.30	.x°±2.0°

CHECKED BY:
Elvis.Song

TEL: +86 400 1048 018

WEB: WWW.WOHU-TEK.COM

REMARK:

SHEET
1/1



.xx±0.25	.xx°±1.5°
.xxx±0.10	.xxx°±1.0°

DESIGND BY:
Sunny.Xu